

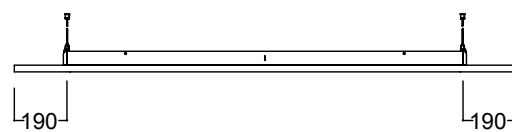
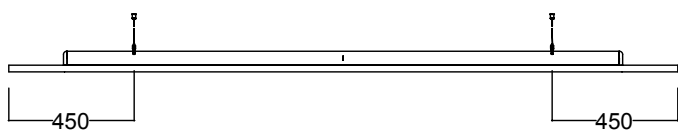
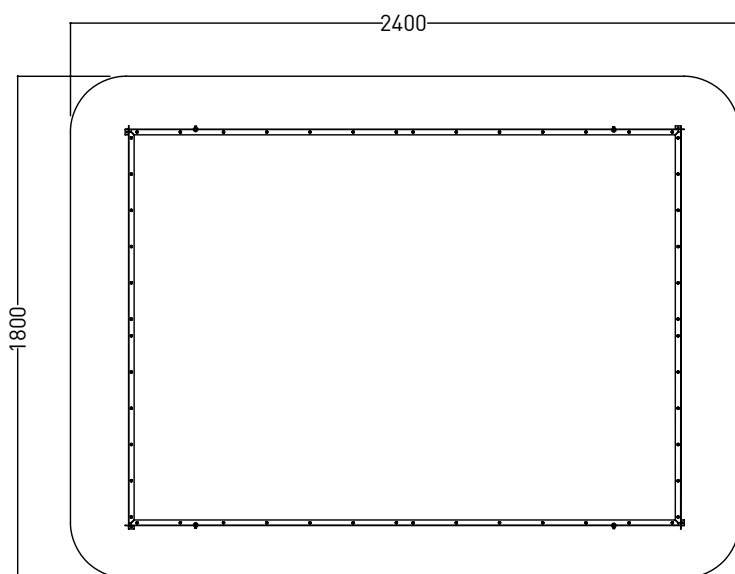
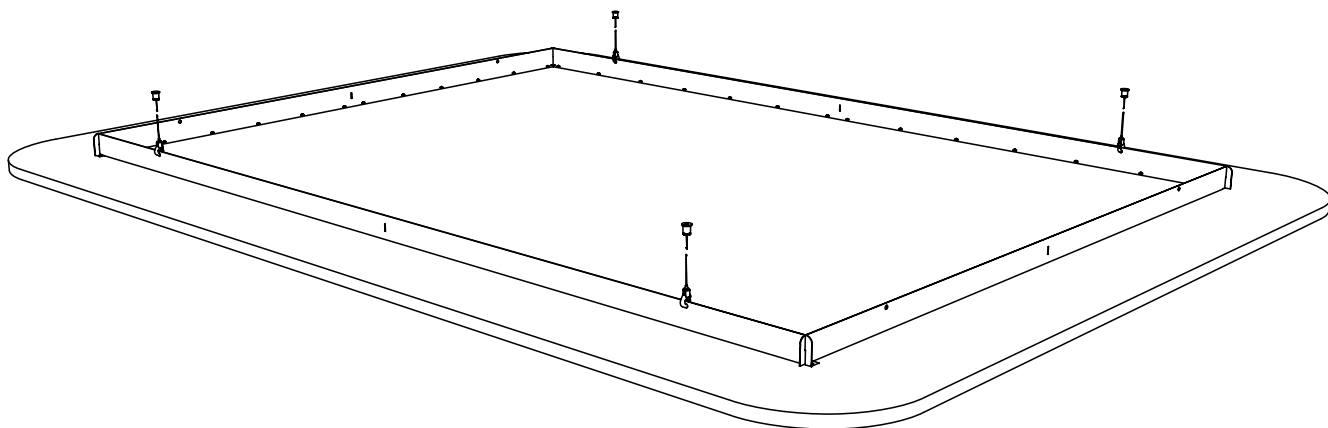
IMPACT ACOUSTIC®

Ceiling Panel

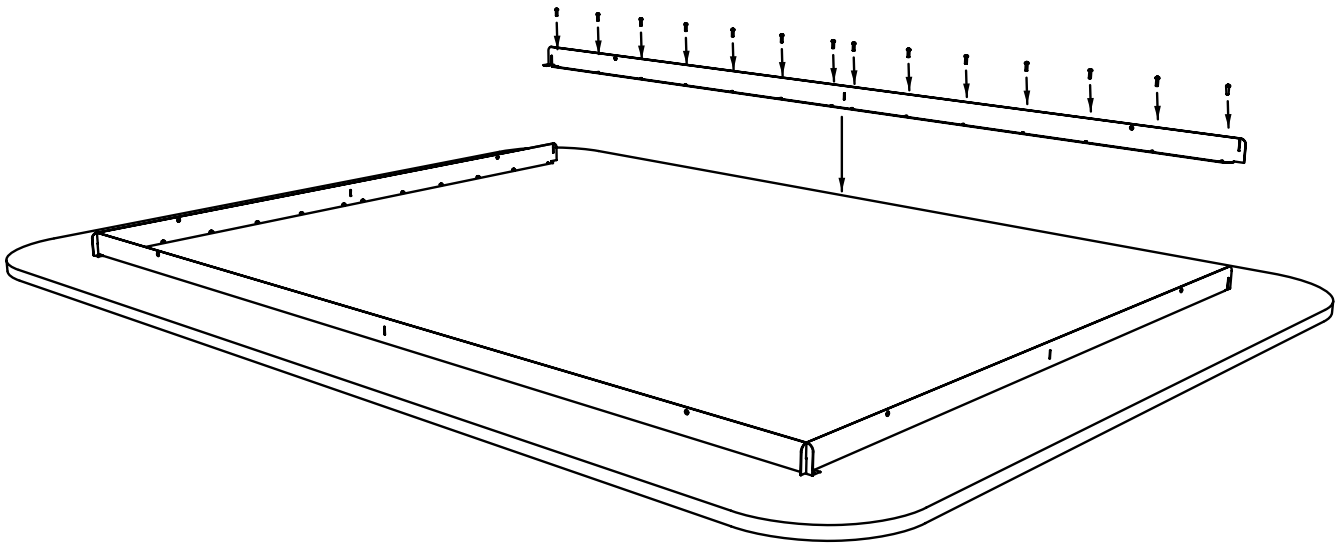
Installation

Ceiling Panel

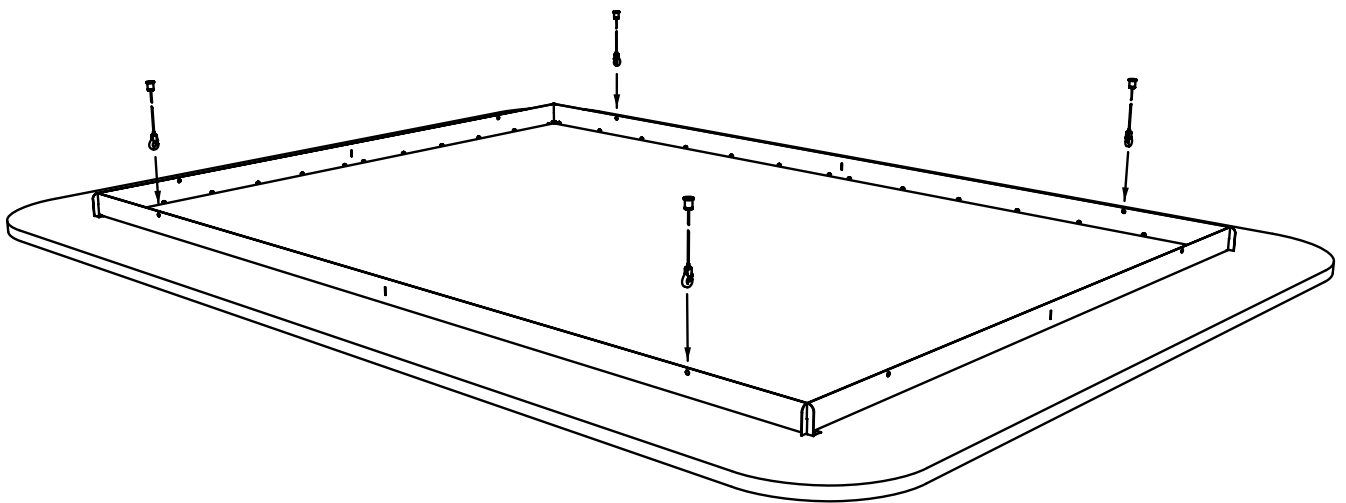
Installation



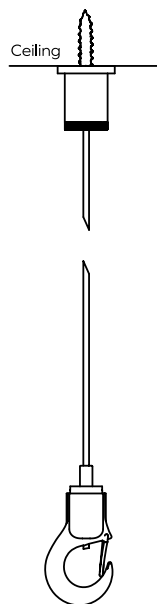
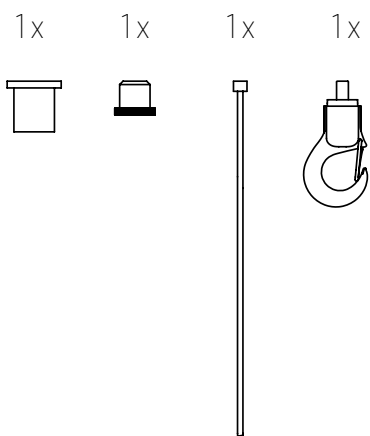
Assemble the supplied frames and place them on the panel. Screw the frame to the panel. Tighten the hanger bolts only slightly and do not overtighten them.



Attach the safety hooks as shown in the drawing.



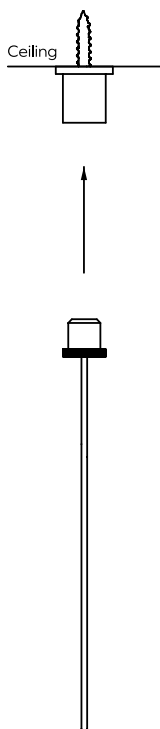
Installing the safety hooks



Step 1



Step 2



Step 3

