

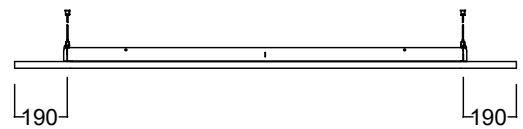
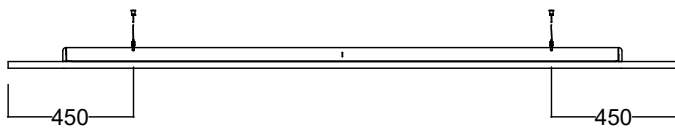
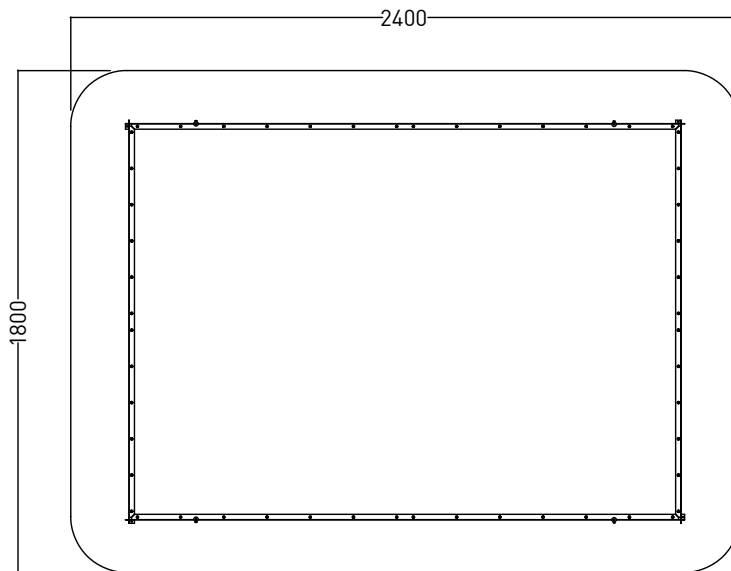
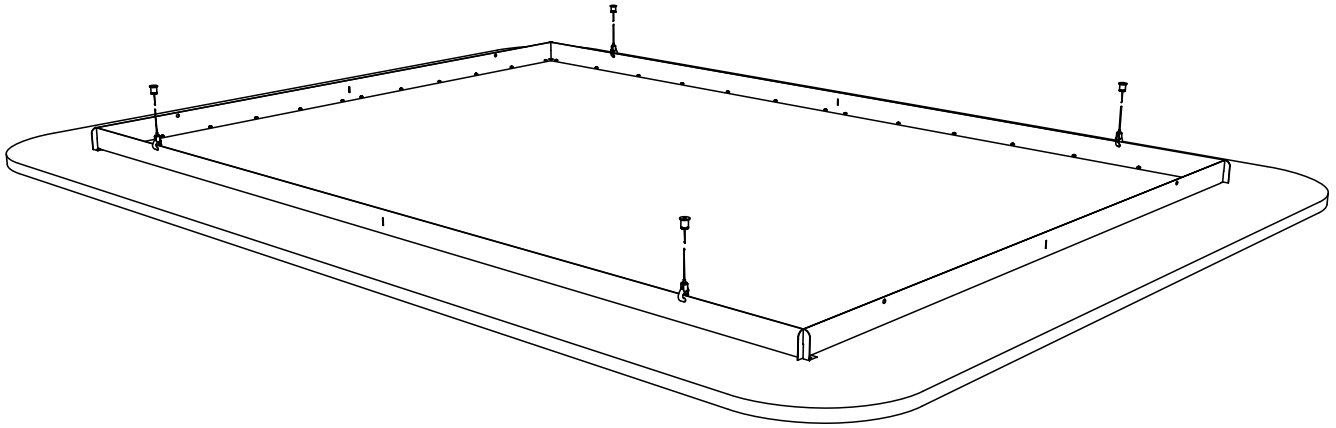
INSTALLATION GUIDE

Ceiling Panel



INSTALLATION GUIDE

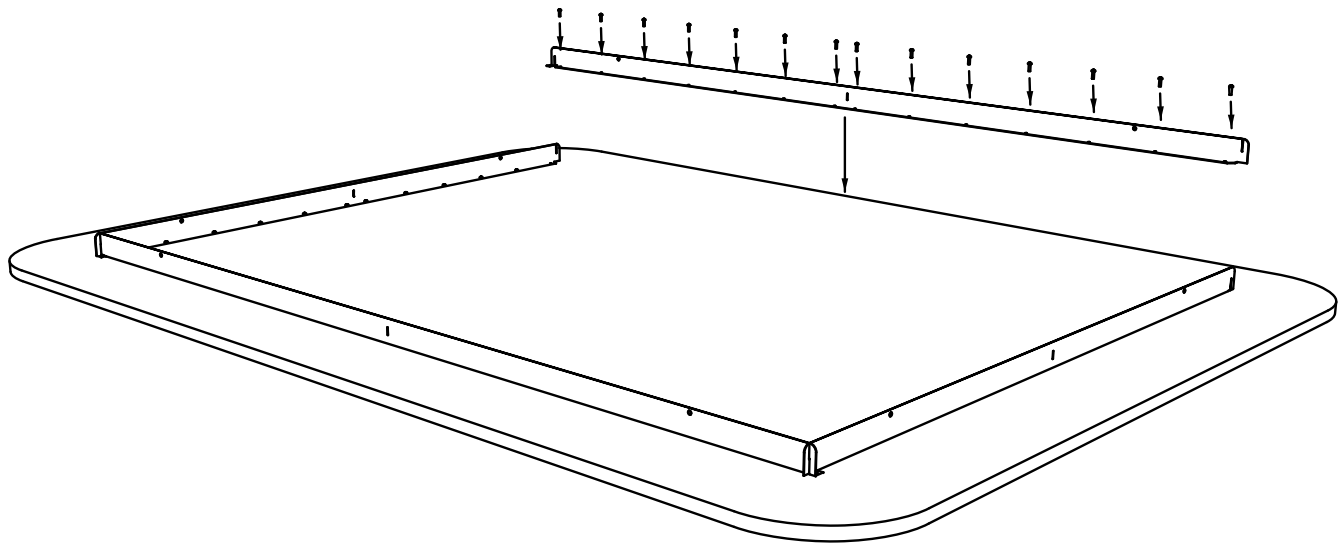
Ceiling Panel



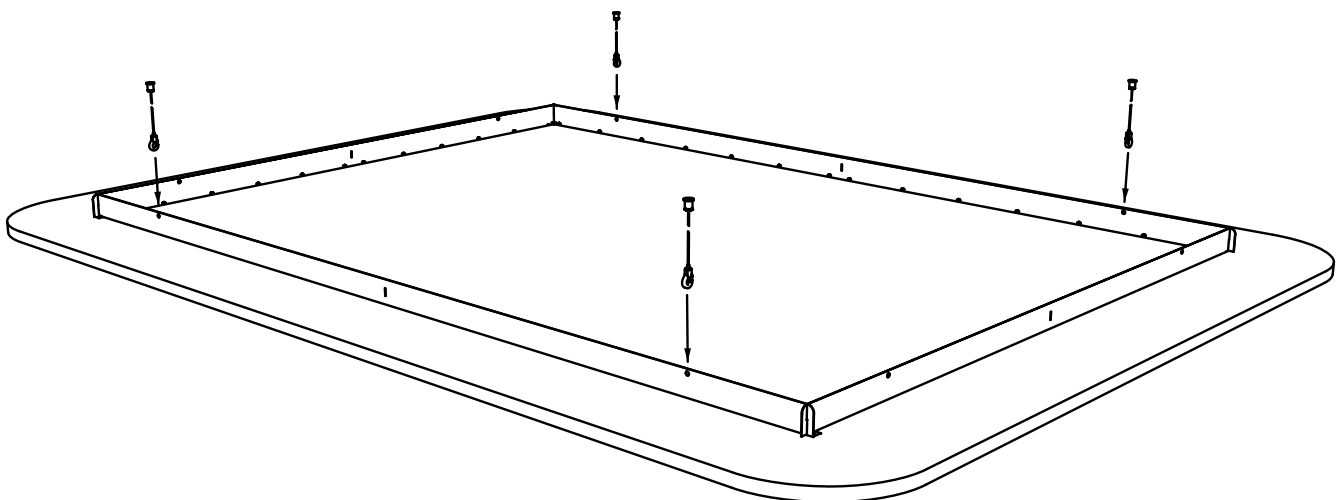
INSTALLATION GUIDE

Ceiling Panel

Assemble the supplied frames and place them on the panel. Screw the frame to the panel. Tighten the hanger bolts only slightly and do not overtighten them.

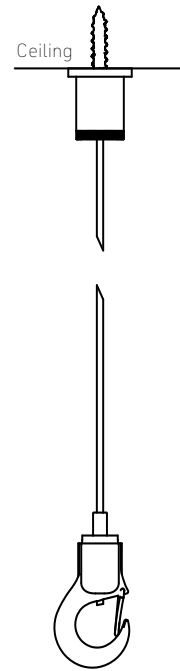
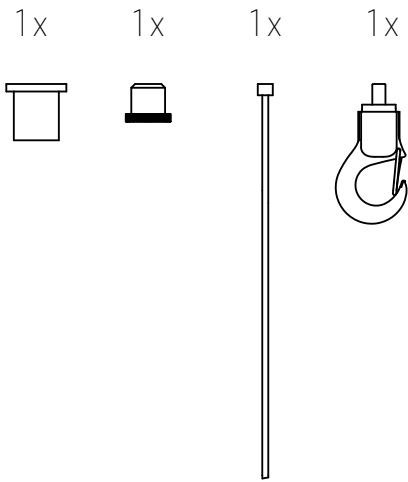


Attach the safety hooks as shown in the drawing.



INSTALLATION GUIDE

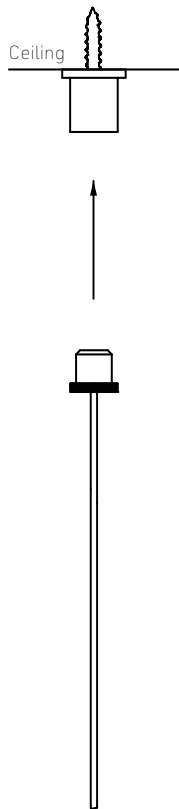
Safety Hooks



Step 1



Step 2



Step 3

