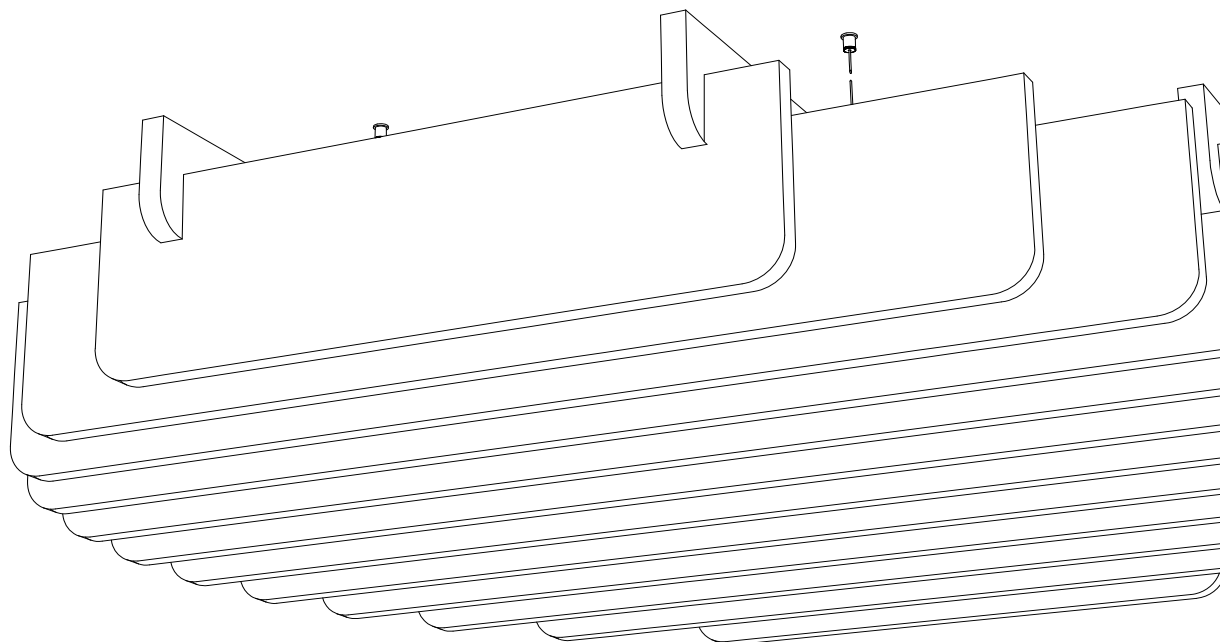


IMPACT ACOUSTIC®



Nebula

Ceiling Baffle

ASSEMBLY INSTRUCTIONS

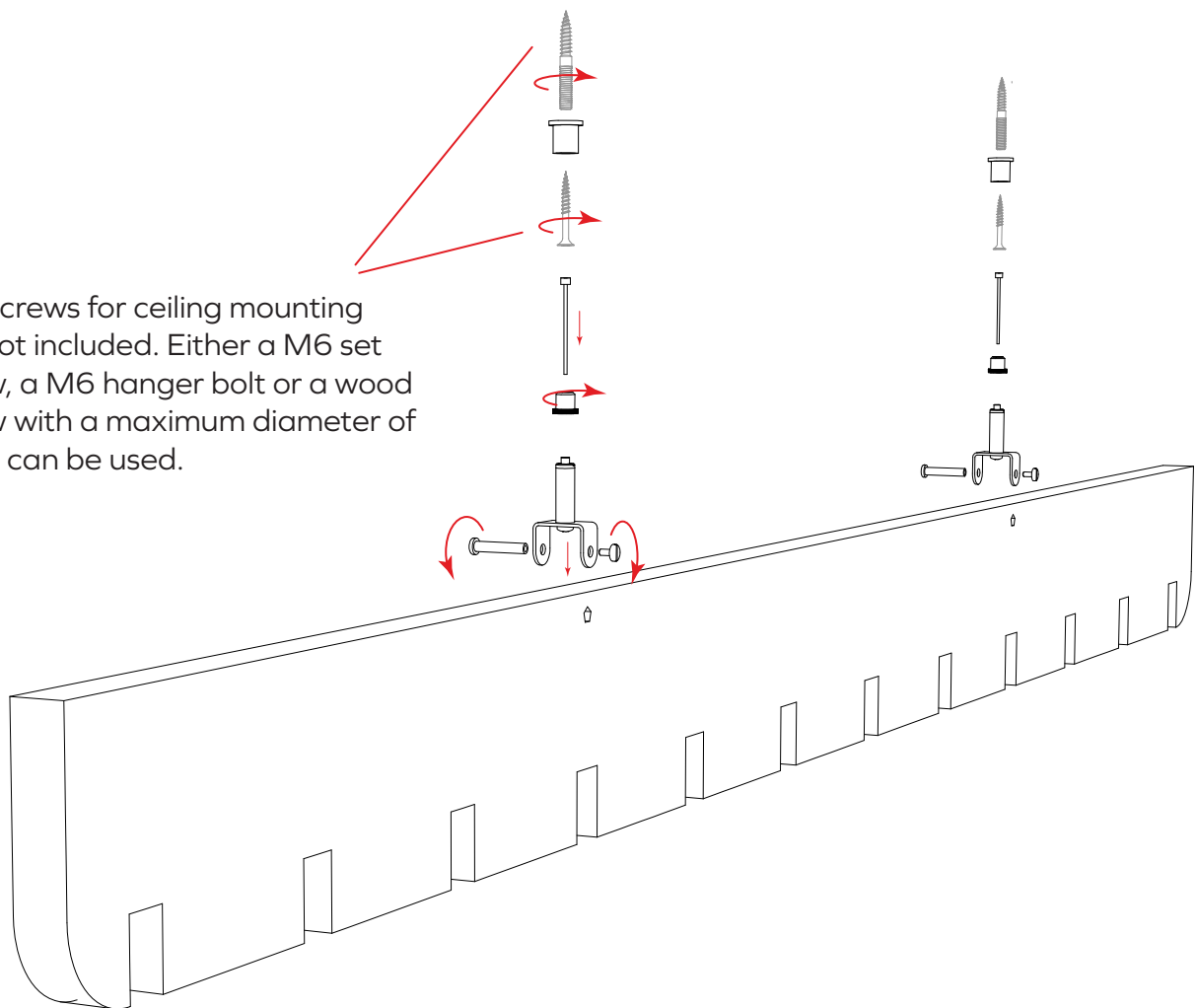
Nebula

Ceiling Baffle

1

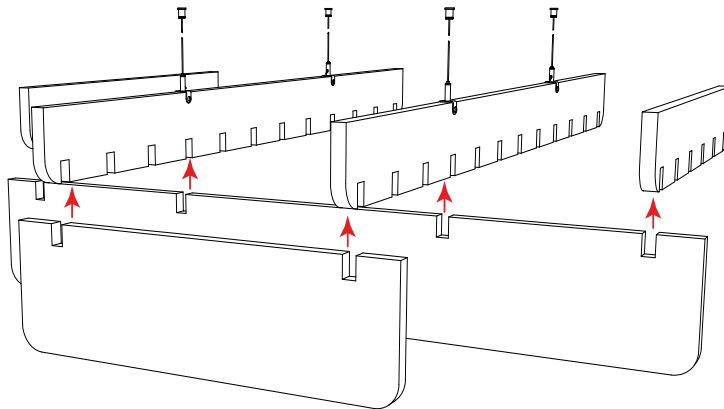
Mount the cross bracing to the ceiling with the supplied suspension kits. Please make sure that you mount it with the proper distance between each other. This distance can be taken from the dimensional drawing.

The screws for ceiling mounting are not included. Either a M6 set screw, a M6 hanger bolt or a wood screw with a maximum diameter of 5mm can be used.



2

Insert the baffle elements into the cross bracing. For the baffle elements are not identical, there is a numbering on the elements that determines the order.



**Well
done!**